

Stark SS Series Filtration Systems Features and Options

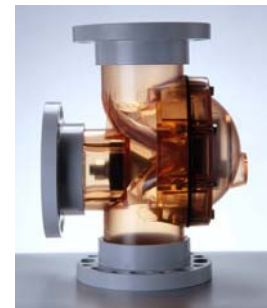
Vessel Features:

- Access manway located on tank head, providing easy access for installation and service.
- Solid composite construction - does not employ a bladder.
- Entire vessel including domes is wound on a computer controlled, multi-axis machine.
- Design does not rely on Adhesive Joints which can be sensitive to temperature variation and application error.
- Vessels feature proprietary PARACOTE® All-Weather Exterior Coating with UV Inhibitors.
- 15 year vessel warranty - Non-Prorated for the first three years.
- Automatic and manual air relief systems.
- Media evacuation port and winterizing drain port.
- Laterals are injection-molded with reverse "V" slots.
- Schedule 80 PVC internal manifolds.

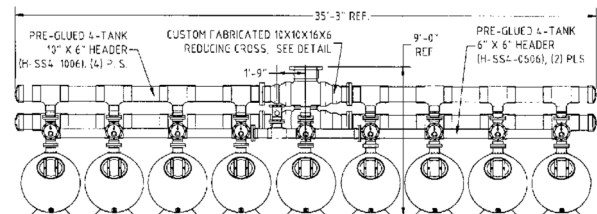
System Features:

- Schedule 80 Face Piping is fully assembled and provided with vessel anchoring templates.
- Face Piping employs grooved couplings for ease of installation - provides relief for field variations.
- 6" Backwash Valves (on some models) include a **transparent ABS valve housing and cover** to readily display valve positioning and provide convenient maintenance inspections.
- Diaphragm-type Priority Valve on 2-Tank Systems.
- Optional 24 VAC Re-Programmable Automatic Backwash Controller includes flow meter and temperature probe for real-time display.
- Optional Backwash Controller Interface provides convenient interface with multi-purpose controllers (e.g. Chemtrol®, Acu-Trol™) and PLC's.
- Optional Para-Pump Pressure Booster System provides consistent valve-actuation where city-water pressure is unreliable.

*Dual Construction Method:
Shell & Winding*



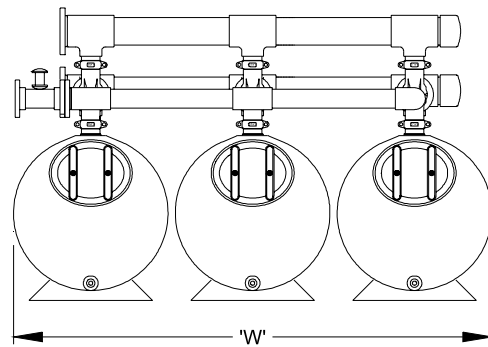
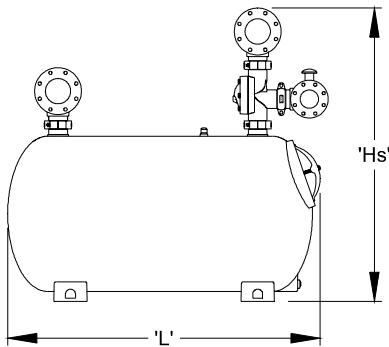
Semi-Automatic Single-Knob Backwash Control is Standard



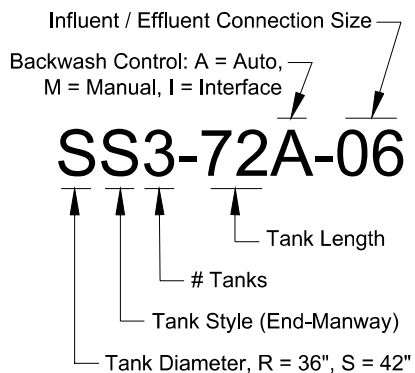
Custom Face-Piping Kits Available for your Application.

Capacity Information

# Tanks	*System Number	Tank Size	Filtration Area (Sq. Ft.)	Flow (GPM)		Backwash Valve Size/Type	'W'	'L'	'Hs'	Total Media (cu ft)	Operating Weight (lbs.)	Shipping Weight (lbs.)
				12 gpm/sf	15 gpm/sf							
1	RS1-60-04	36" x 60"	13.5	162	203	4" Gray	38"	63"	68"	15.5	4,600	845
	RS1-72-04	36" x 72"	17.2	206	258	4" Gray	38"	75"	68"	19.0	5,500	915
	SS1-48-04	42" x 48"	13.5	162	203	4" Gray	44"	51"	74"	16.5	4,900	805
	SS1-72-06	42" x 72"	20.0	240	300	6" Clear	44"	75"	86"	26.0	7,500	1,105
	SS1-96-06	42" x 96"	27.0	324	405	6" Clear	44"	99"	86"	36.0	9,800	1,240
2	RS2-60-06	36" x 60"	27.0	324	405	4" Gray	77"	63"	70"	31.0	9,400	1,650
	RS2-72-06	36" x 72"	34.4	413	516	4" Gray	77"	75"	70"	38.0	11,000	1,830
	SS2-48-06	42" x 48"	27.0	324	405	4" Gray	90"	51"	76"	33.0	10,000	1,650
	SS2-72-06	42" x 72"	40.0	480	600	6" Clear	90"	75"	87"	52.0	14,800	2,060
	SS2-96-06	42" x 96"	54.0	648	810	6" Clear	90"	99"	87"	72.0	19,400	2,380
3	RS3-60-06	36" x 60"	40.5	486	608	4" Gray	116"	63"	70"	46.5	14,200	2,420
	RS3-72-06	36" x 72"	51.6	619	774	4" Gray	116"	75"	70"	57.0	16,800	2,670
	SS3-48-06	42" x 48"	40.5	486	608	4" Gray	136"	51"	76"	49.5	14,900	2,420
	SS3-72-08	42" x 72"	60.0	720	900	6" Clear	136"	75"	88"	78.0	22,400	3,140
	SS3-96-08	42" x 96"	81.0	972	1215	6" Clear	136"	99"	88"	108.0	29,400	3,620
4	RS4-60-06	36" x 60"	54.0	648	810	4" Gray	155"	63"	70"	62.0	18,900	3,200
	RS4-72-08	36" x 72"	68.8	826	1032	4" Gray	155"	75"	76"	76.0	22,300	3,560
	SS4-48-06	42" x 48"	54.0	648	810	4" Gray	182"	51"	76"	66.0	19,900	3,200
	SS4-72-08	42" x 72"	80.0	960	1200	6" Clear	182"	75"	88"	104.0	30,200	4,470
	SS4-96-10	42" x 96"	108.0	1296	1620	6" Clear	182"	99"	88"	144.0	39,900	5,145
5	SS5-72-10	42" x 72"	100.0	1200	1500	6" Clear	229"	75"	88"	130.0	38,400	5,650
	SS5-96-10	42" x 96"	135.0	1620	2025	6" Clear	229"	99"	88"	180.0	49,900	6,450
6	SS6-72-10	42" x 72"	120.0	1440	1800	6" Clear	275"	75"	88"	156.0	46,000	6,800
	SS6-96-12	42" x 96"	162.0	1944	2430	6" Clear	275"	99"	97"	216.0	60,800	7,900



SS Series System Numbering



Notes:

- Standard header sizing shown is based on 10 fps max. at 15 gpm per sq. ft.
- For more dimensional detail, consult the appropriate Cut Sheet in our Design Manual.
- For special requirements including non-standard header sizes / locations and systems consisting of more vessels than shown, please contact our Applications Engineering.



**PARAGON
AQUATICS**
Pentair Water

(845) 452-5500
Fax: (845) 452-5426
www.paragonaquatics.com